

CPVC Pipe & Threaded Fittings

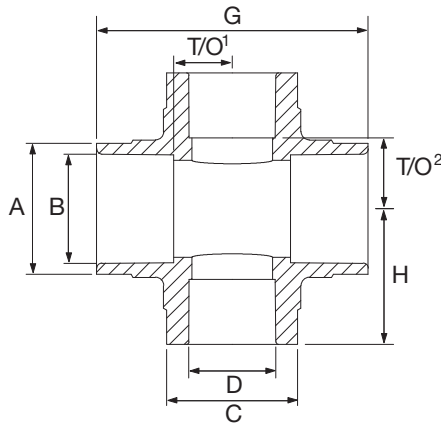
CPVC Fittings

Reducing Cross



Sizes	DN25 x DN25 DN20 x DN20 (1" x 1" x 3/4" x 3/4")
Approvals	UL, C-UL Listed & FM, MEA, NSF, & LPCB Approved
Rated Pressure	12,1 bar (175 psi)
Maximum Temperature Rating	65°C (150°F).
Tech Data Sheet	TFP1915 and Installation Handbook - IH-1900

Manufactured with Lubrizol's BLAZEMASTER® compound ■ Produced from BlazeMaster® thermoplastic compound, RAPID RESPONSE CPVC fittings are designed exclusively for use in wet and dry pipe automatic fire sprinkler systems. ■ Our CPVC is easier to install than traditional steel components, while providing superior heat resistance and strength compared to traditional CPVC and PVC fitting materials.



CPVC Reducing Cross																
Part No.	B		D		A mm	C mm	G mm	H mm	T/O¹ mm	T/O² mm	Weight kg	Approval Listings				
	DN	In.	DN	In.								LPCB	FM	UL	MEA	NSF
80015A	25	1"	20	3/4"	40	40	84	42	18	22	0.127	✓	✓	✓	✓	✓